

## Application

Rotational speed and angular measurement with EcoSpin.

## Industry

Textile machinery  
Motion control  
Graphics machinery  
Wood/timber processing machinery  
Machine tools  
Packaging machinery  
Medical technology

## Application Overview

In many different applications the customer has to measure and/or monitor the angular and the rotational speed of a rotational shaft. Applications often involve difficult conditions including limited space, dirt, vibration and splashing water.

## Application Challenges

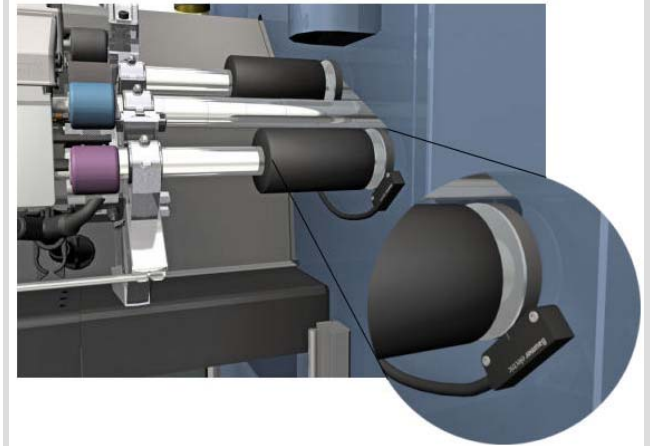
In this application the rotational speed must be measured and monitored on spindles winding up, diverting or stretching thread. The shaft has unbalanced performance and there is some dust and dirt around. The limited space in which to mount an encoder and the customer's budget is also an issue.

## Solution(s)

The best solution for this application is the EcoSpin. *EcoSpin* is ideal for the simple measurement of rotational shaft speed and for incremental angular measurements with a resolution of up to 0.5°. The durable, contact free operating principle is particularly well suited for applications involving heavy contamination or those subject to strong vibrations. The flat, only 10 mm-deep housing simplifies installation even where space is extremely limited. Baumer has also paid particular attention to installation friendliness. The system consisting of both rotor and sensor can be mounted in less than a minute using the spacer gauge attached to the sensor.

## Supporting Documentation

•Baumer Sensor Solution Catalog



EcoSpin for monitoring rotational speed

## For application information, contact:

Baumer Ltd.  
122 Spring Street, Unit C-6  
Southington, CT 06489

Phone: (860) 621-2121  
Fax: (860) 628-6280  
E-mail: [sales.us@baumergroup.com](mailto:sales.us@baumergroup.com)  
[www.baumergroup.com](http://www.baumergroup.com)

Customer Service/Technical Support: (800) 937-9336